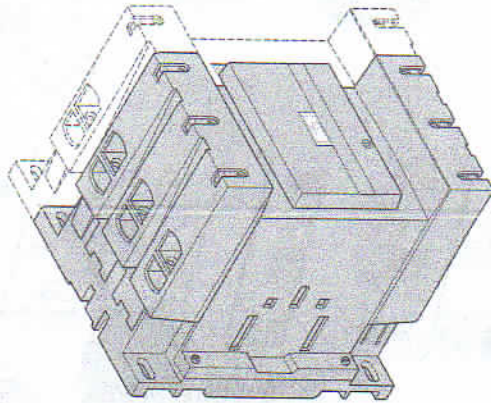
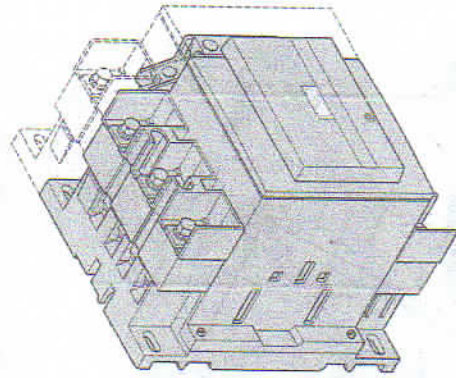


Contacteurs / Contacteurs-inverseurs  
 Contactors / Reversing contactors  
 Schütze / Wendeschtätze  
 Contattori / Teinvertitori  
 Contactores / Contactores-inversores  
 Contactores / Contactores-inversores  
 Контакторы / Реверсивные контакторы  
 接触器 / 换向接触器



LC1 D115  
 LC1 D115004  
 LC2 D115  
 LC2 D115004  
 LC1 D150  
 LC2 D150



LC1 D156  
 LC1 D1150046  
 LC2 D1156  
 LC2 D1150046  
 LC1 D1506  
 LC2 D1506

For Motor Starting Use Schneider Electric Overload Relay Series LR.

**WARNING**

**RISK OF FIRE OR ELECTRIC SHOCK (FOR CONTACTOR WITH UL HI-FAULT SHORT CIRCUIT CURRENT RATINGS ONLY)**

The opening of the branch-circuit protective device may be an indication that a fault current has been interrupted.  
To reduce the risk of fire or electric shock, current-carrying parts and the other components of the controller should be examined and replaced if damaged.

**Failure to follow these instructions can result in death, serious injury, or equipment damage.**

**Schneider Electric Industries SAS**  
 35, rue Joseph Monier  
 CS30323  
 F - 92500 Rueil-Malmaison  
<http://www.schneider-electric.com>

W9 1511301 0123 12



Уполномоченный поставщик в РФ:  
 АО «Шнейдер Электрик»  
 Адрес:  
 127018, г. Москва, ул. Давидцав, д.12, корп. 1,  
 тел. +7 (495)777 99 88,  
 факс: +7 (495)777 99 94, 8-800-200-6446  
[www.schneider-electric.ru](http://www.schneider-electric.ru)

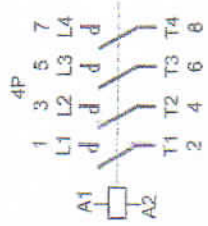
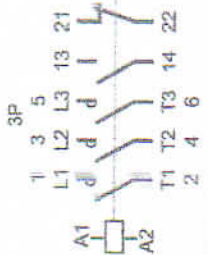
12/12

W9 1511301 0123 12 [eipn.ru](http://eipn.ru)

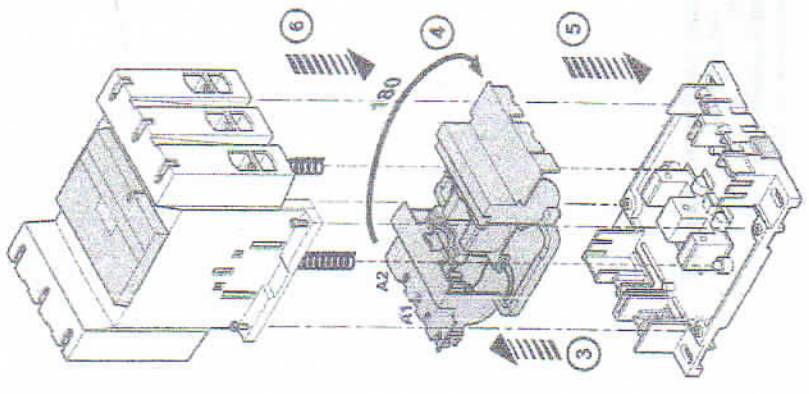
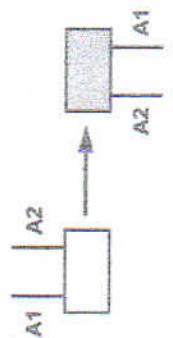
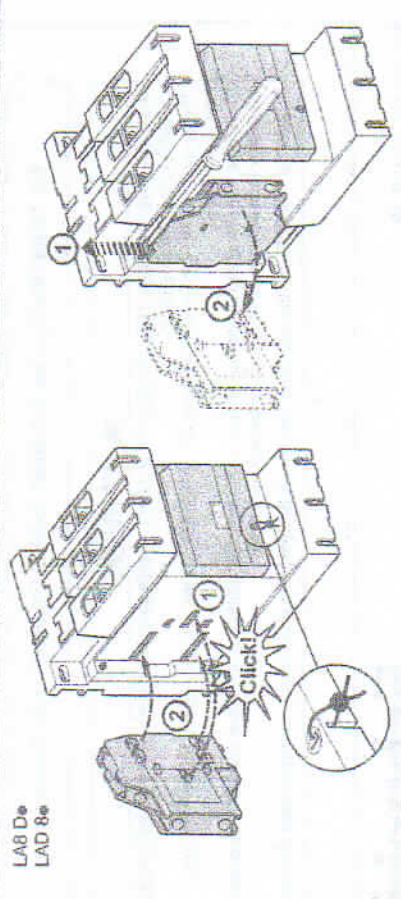
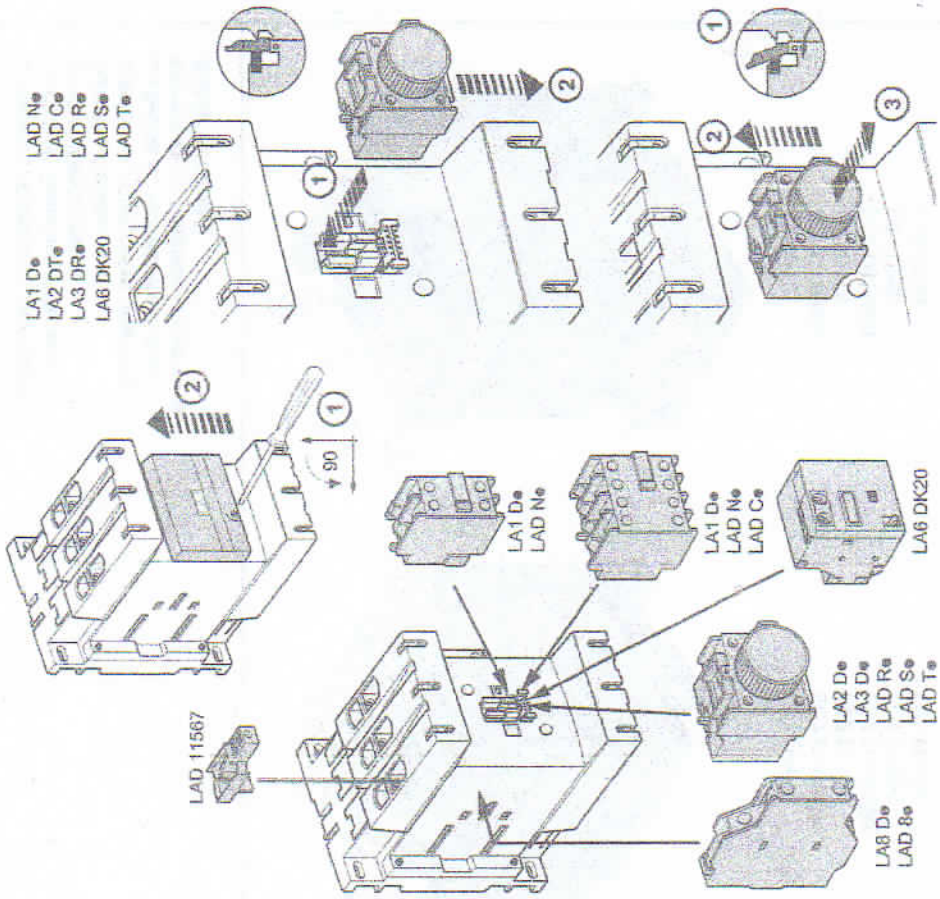
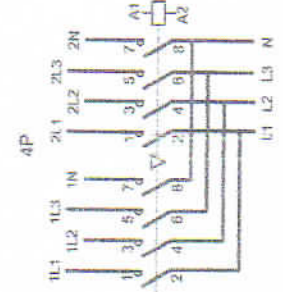
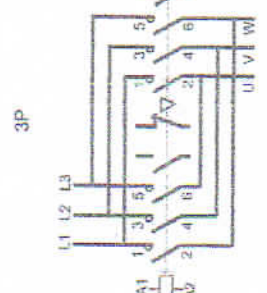
07 - 2015

1/12

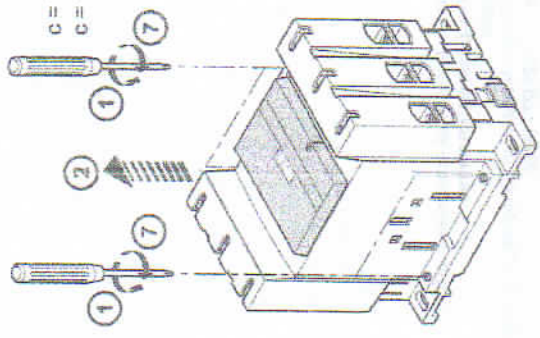
LC1



LC2



c = 1,2 N.m  
c = 10 lb.in.



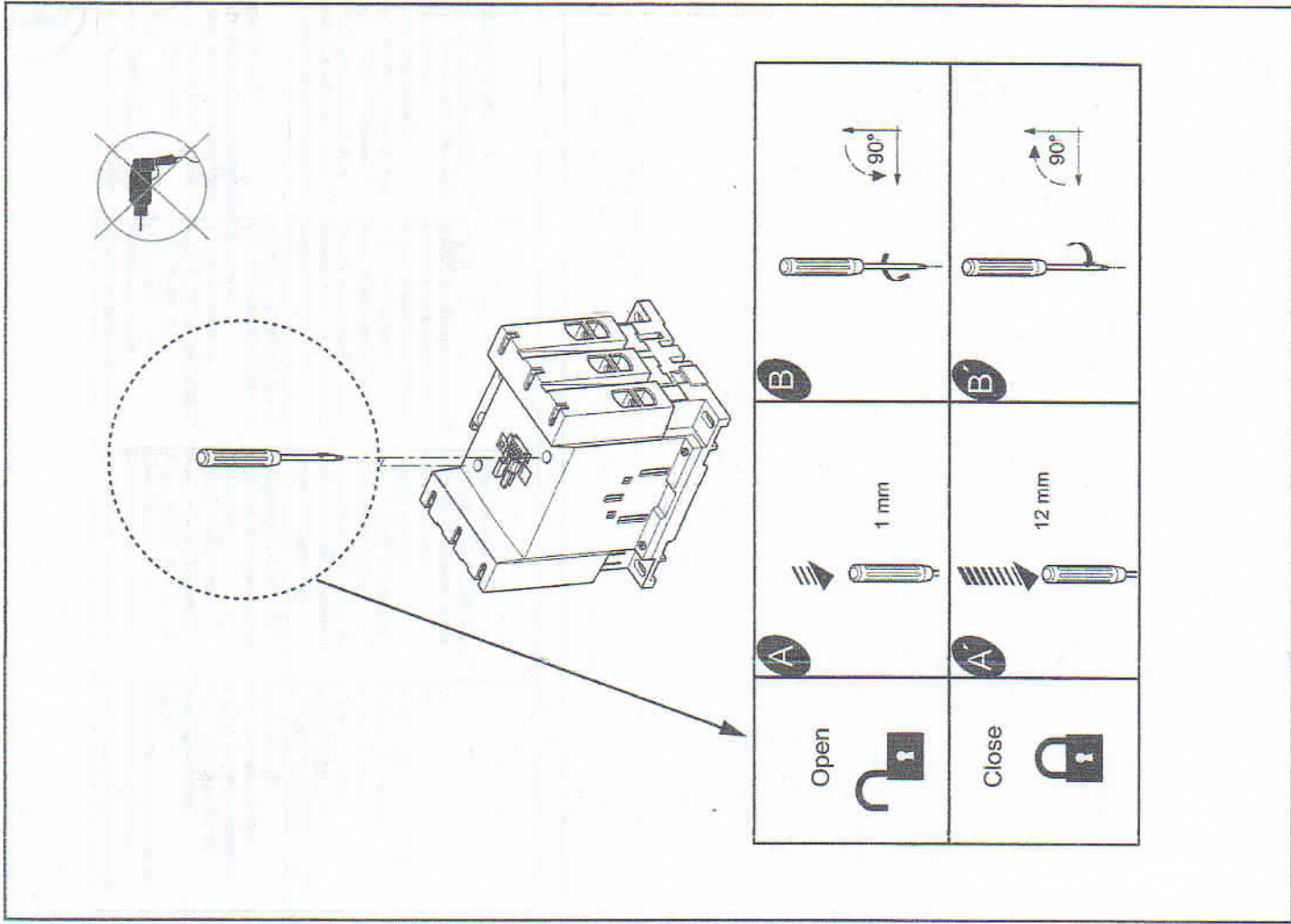




	<b>3P</b>	<b>4P</b>
	LA9 D115603	LA9 D115604
	LA9 D115503	LA9 D115504
	LA9 D115703	LA9 D115704
	(D115) LA5 D11550 (D150) LA5 D15050	(D115) LA5 D115450 -
	(D115) LA5 D1158031 (D150) LA5 D150803	(D115) LA5 D115804 -

	<b>LAD 9ET4</b>
--	-----------------

产品中有毒有害物质或元素名称及含量 / Contents of Toxic or Hazardous Substances or Elements 有毒有害物质或元素 / Toxic or hazardous Substances and Elements	
部件名称 / Part Name	铅 (Pb) 汞 (Hg) 镉 (Cd) 六价铬 (Cr <sup>6+</sup> ) 多溴联苯 (PBB) 多溴二苯醚 (PBDE)
电子线路板 / Electronics Board	X O O O O O
<b>O</b> : 表示该有毒有害物质在该部件所有均质材料中的含量均在 SJ/T11363-2006 标准规定的限量要求以下。 Indicates that this toxic or hazardous substance contained in all of the homogeneous materials for this part is below the limit requirement in SJ/T11363-2006.	
<b>X</b> : 表示该有毒有害物质至少在该部件的某一均质材料中的含量超出 SJ/T11363-2006 标准规定的限量要求。 Indicates that this toxic or hazardous substance contained in at least one of the homogeneous materials used for this part is above the limit requirement in SJ/T11363-2006.	
对销售之目的所有产品, 本表显示, 施耐德电气供应的电子产品可能包含这些物质。注意: 在所有产品中可能会也可能不会含有所有列出的部件。 Note: The products on sale may or may not contain all the parts/components listed here.	
3P AC TeSys D contactors (LC1D115 → LC1D150) are grade 2 according to GB 21518. Maximum power consumption lower than 36.6 VA. 根据GB 21518标准, 三级 TeSys D系列交流接触器 (LC1D115 → LC1D150)能效等级为2级。 产品最大功耗功率低于36.6 VA	





<p>The product's manufacture date is coded PYYWWWD, where:</p> <ul style="list-style-type: none"><li>● PP: plant code</li><li>● YY: year of manufacture</li><li>● WW: week of manufacture (Monday = 1)</li></ul>	<p>La date de fabrication du produit est codée PYYWWWD, avec:</p> <ul style="list-style-type: none"><li>● PP: code usine</li><li>● YY: année de fabrication</li><li>● WW: semaine de fabrication (D: jour de fabrication dans la semaine (lundi = 1))</li></ul>	<p>La fecha de fabricación del producto está codificada PYYWWWD, donde:</p> <ul style="list-style-type: none"><li>● PP: código de la planta</li><li>● YY: año de fabricación</li><li>● WW: semana de fabricación (D: día de la semana de fabricación (lunes = 1))</li></ul>	<p>Das Herstellungsdatum des Produkts ist folgendermaßen codiert: PYYWWWD. Wobei:</p> <ul style="list-style-type: none"><li>● PP: Werkscode</li><li>● YY: Herstellungsjahr</li><li>● WW: Herstellungswoche (Montag = 1)</li></ul>
<p>La data di fabbricazione del prodotto è indicata con il codice PYYWWWD, dove:</p> <ul style="list-style-type: none"><li>● PP: codice stabilimento</li><li>● YY: anno di fabbricazione</li><li>● WW: settimana di fabbricazione</li><li>● (D: giorno della settimana in cui il prodotto è stato fabbricato (lunedì = 1))</li></ul>	<p>A data de fabrico do produto está sob a forma de código PYYWWWD, onde:</p> <ul style="list-style-type: none"><li>● PP: código da fábrica</li><li>● YY: ano de fabrico</li><li>● WW: semana de fabrico</li><li>● (D: dia da semana de fabrico (Segunda-feira = 1))</li></ul>	<p>Дата производства продукта закодирована в формате PYYWWWD, где:</p> <ul style="list-style-type: none"><li>● PP: код завода</li><li>● YY: год производства</li><li>● WW: неделя производства (D: день недели, когда был произведен продукт (понедельник = 1))</li></ul>	<p>产品制造日期采用如下代码 PYYWWWD, 其中:</p> <ul style="list-style-type: none"><li>● PP: 工厂代码</li><li>● YY: 制造年份</li><li>● WW: 第九周制造 (星期一 = 1)</li></ul>